

# Power Stone

## C&I System (On/Off-grid)



### Application Scenarios

Platform Capacity increase / Industrial & Commercial Companies / Data Center  
Campus Storage / Commercial Buildings Large Industrial / Movable Storage



#### Efficient and Flexible

LiFePO4 battery storage system, two-layer battery management system, fully digital LCD display, Support multi-machine parallel expandable modules.



#### Application Scenarios

Platform capacity increase, Industrial & Commercial companies, Data centers, Campus storage, Large industrial and commercial buildings, Movable storage.



#### Safe and Secure

IP54 protection degree outdoor cube, consists of accessories, including air-cooling equipment, lighting, power distribution, fire control, etc.

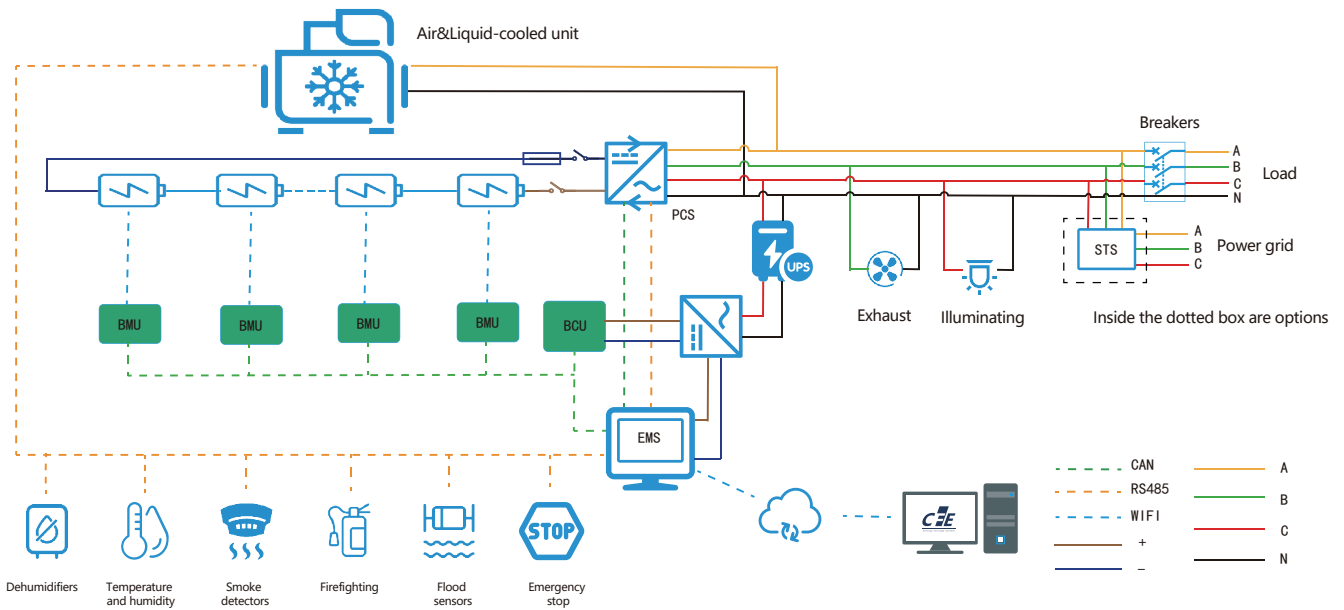


#### Efficient Management

Energy management system includes cloud system & local management machine, PCS data collection and other related devices.

Model	100kW/200kWh	125kW/241kWh	100kW/233kWh	125kW/250kWh
<b>Battery Parameter</b>				
Battery Type	LFP(3.2V 280Ah)	LFP(3.2V 314Ah)	LFP(3.2V 280Ah)	LFP(3.2V 314Ah)
Battery System Configuration	1P240S		1P260S	
Battery System Capacity	215.04kWh	241.15kWh	232.96kWh	261.24kWh
Battery Voltage Range	672V-876V	648V-864V	728V-949V	720V-936V
Battery Cycle Life	6000 Cycles at 0.5C, 80%DOD at 25 °C			
<b>DC Side Parameters</b>				
Number of Ways	1			
DC Voltage Range	672V-876V	648V-864V	728V-949V	720V-936V
DC Maximum Current	177A	198A	177A	198A
Rated DC Power	100kW	125kW	100kW	125kW
Voltage Regulation Accuracy	≤±2%			
Current Stabilization Accuracy	≤±5%			
Voltage-Limiting Feature	Yes			
Current Limiting Characteristics	Yes			
<b>AC Grid-Connected Parameters</b>				
The Rated Output	100kW	125kW	100kW	125kW
Overload Capacity	1.1 times long-term, 1.2 times 1min			
Rated Voltage	AC 400V			
Rated Output Current	145A	180A	145A	180A
AC Access Mode	Three-phase four-wire			
Isolation Method	Non-isolated			
Grid Voltage Range	380V(-20%~+15%)			
Grid Frequency Range	50Hz/60Hz±2.5Hz			
Total Harmonic Distortion	≤3% (Full Load)			
Power Factor	-0.99~+0.99			
DC Component	≤0.5%			
Charge/Discharge Conversion Time	<100ms			
<b>AC Off-Grid Parameters</b>				
AC Off-grid Voltage	AC400V			
AC Voltage Range	AC400V±3%			
AC Off-grid Frequency	50Hz/60Hz			
Off-grid Output THDU	≤3% (linear load)			
Unbalanced Load Capacity	100%			
<b>Basic Parameters</b>				
Maximum Conversion Efficiency	≥98%			
Allowable Ambient Temperature	-20°C~60°C			
Permissible Relative Humidity	≤95%			
Noise	≤75dB			

Altitude	Larger than 2000 meters need to be derated		
BMS Communication Interface	CAN		
EMS Communication Interface	Ethernet port		
Communication Between Modules	Optical fiber		
System Parameter			
System Efficiency	>88%		
Size (W*D*H)	1600*1250*2375mm		1400*1300*2375mm
Weight	2.9T	3.0T	2.8T 2.9T
Ambient Temperature	-20°C~55°C		
Environment Humidity	0 ~ 95%		
Work Altitude	<3000m		
Protection Level	IP54		
Corrosion Protection Level	C4		
Cooling Method	Air Cooling		Liquid cooling
Fire Fighting System	Aerosol		



CF Energy Co., Ltd.

CFE has offices & warehouses in the following regions where you can get in touch with us:-

Europe: Vienna (Austria) , Budapest (Hungary)      Africa: Johannesburg (South Africa)

Asia: Xi'an, Shenzhen, Tianjin, Hong Kong (China) , and Yangon (Myanmar)

Tel: (+86) 029 38367888      Web: www.cfess.cn      E-mail: cfenergy@cfess.cn